

Universal Rubber Bump Stop Dimensions

Designed for Ford F150, 250/ Mercedes-Benz Sprinter

Please contact us at info@rubbershox.com immediately if you have any questions about installing Modular Universal Rubber Bump Stop on your vehicle. We are a US company located in Southern California.

(Do not Copy) USB is Patent Pending. This instruction is part of an installation manual that is under Copyright Protection by RubberShox®
WARNING: Customers require common automotive safety practices during the installations, we recommend installation be done by a professional mechanical knowledge. RubberShox® hold no liability for actual automotive safety practices.
DISCLAIMER: RubberShox® Bump Stop products DO NOT increase vehicle load capacity. They are designed to equalize loads support OE suspension for more stability and increase ground clearance. Please refer to your vehicle's owner's manual for maximum load capacity for safe operation.

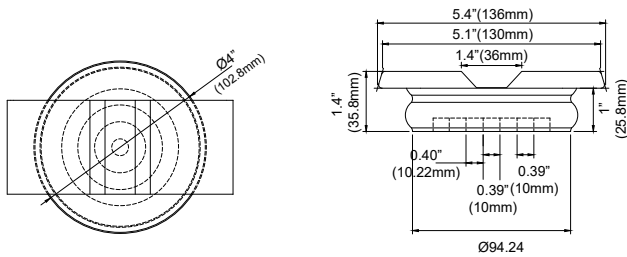
Modular Universal Rubber Bump Stop (Assemble Yourself)

Model #	Module Combination	Use
UB1A3A	UB1A+UB3A	Occasionally Heavy Loading – Sprinter Van
UB1A23A	B1A+UB2+UB3A	Constant Light to Medium Loading, or Light Towing – Sprinter Van
UB1A223A	UB1A+UB2+UB2+UB3A	Constant Heavy Loading, Camper or Heavy Towing



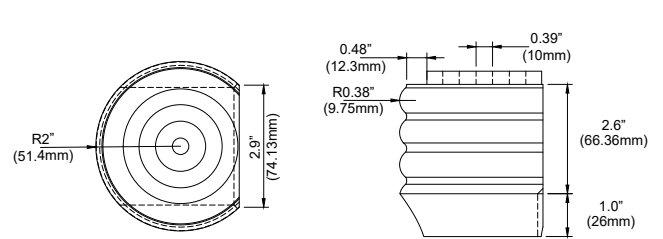
UB1A

Designed for Mercedes-Benz Sprinter



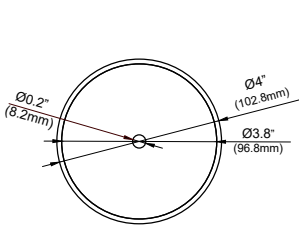
UB3A

Designed for Ford F150, 250 Series/ Mercedes-Benz Sprinter

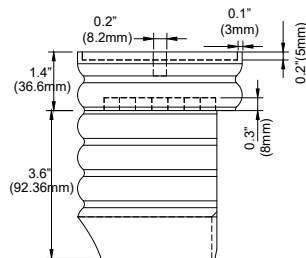


Universal Rubber Bump Stop (Pre-Assembled) - Designed for Ford F150/250 Series

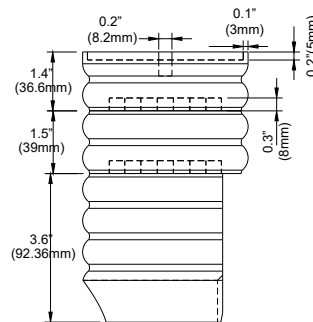
TOP



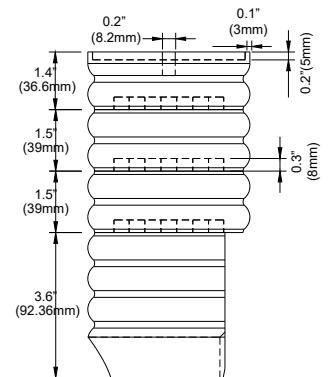
UB13A



UB123A

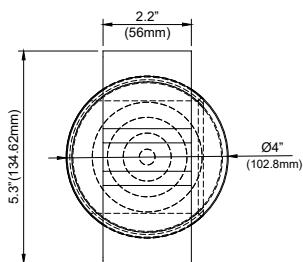


UB1223A

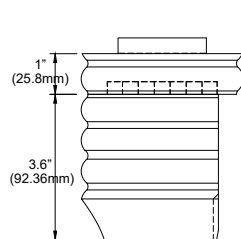


Universal Rubber Bump Stop (Pre-Assembled) - Designed for Mercedes-Benz Sprinter

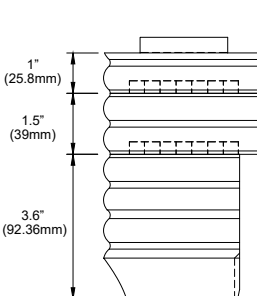
TOP



UB1A3A



UB1A23A



UB1A223A

