

**WARNING:** Customers require common automotive safety practices during the installations, we recommend installation be done by a professional mechanical knowledge. RubberShox hold no liability for actual automotive safety practices.

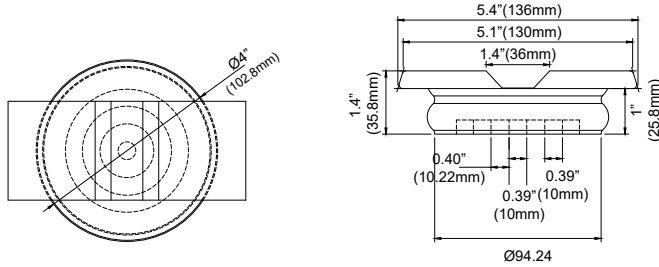
**Modular Universal Rubber Bump Stops (Assemble Yourself)**

| Model #  | Module Combination | Use  |
|----------|--------------------|--|
| UB1A3A   | UB1A+UB3A          | Occasionally Heavy Loading – Sprinter Van                        |
| UB1A23A  | B1A+UB2+UB3A       | Constant Light to Medium Loading, or Light Towing – Sprinter Van |
| UB1A223A | UB1A+UB2+UB2+UB3A  | Constant Heavy Loading, Camper or Heavy Towing                   |



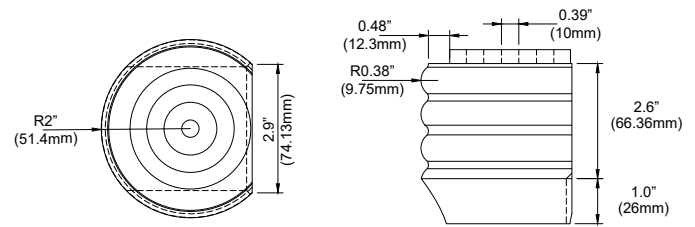
**UB1A**

Designed for Mercedes-Benz Sprinter



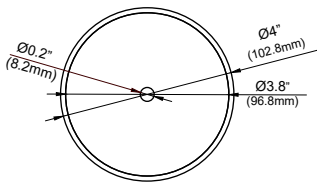
**UB3A**

Designed for Ford F150, 250 Series/ Mercedes-Benz Sprinter

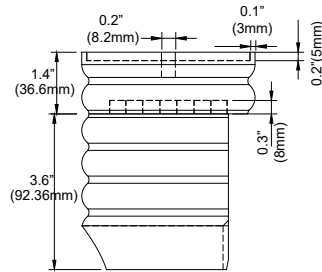


**Universal Rubber Bump Stops (Pre-Assembled) - Designed for Ford F150/250 Series**

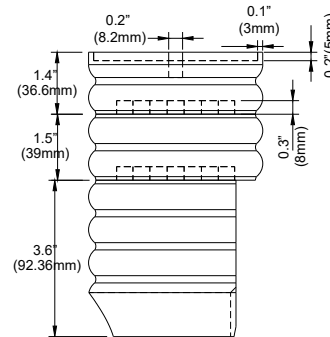
**TOP**



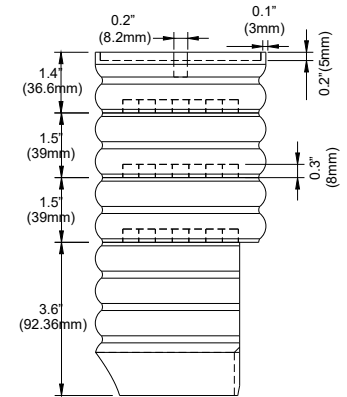
**UB13A**



**UB123A**

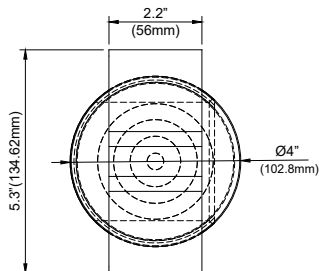


**UB1223A**

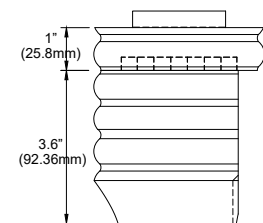


**Universal Rubber Bump Stops (Pre-Assembled) - Designed for Mercedes-Benz Sprinter**

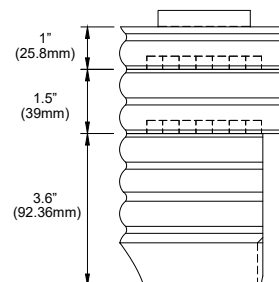
**TOP**



**UB1A3A**



**UB1A23A**



**UB1A223A**

